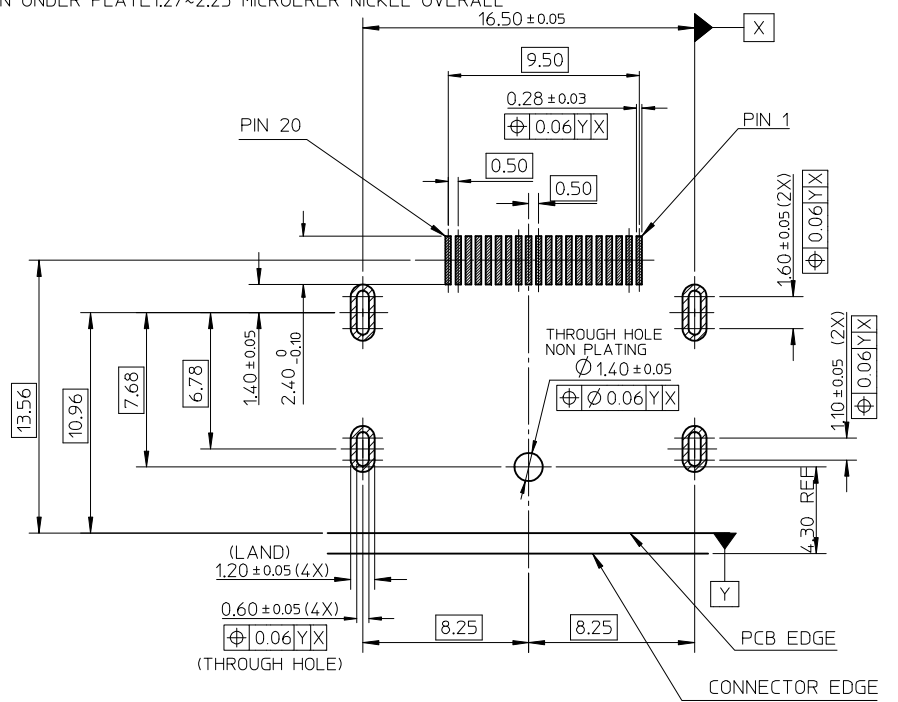
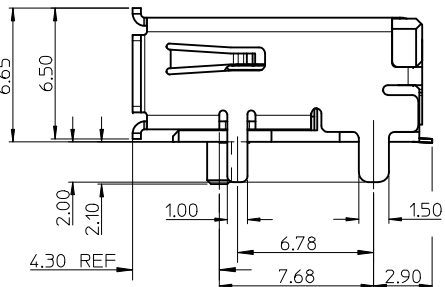
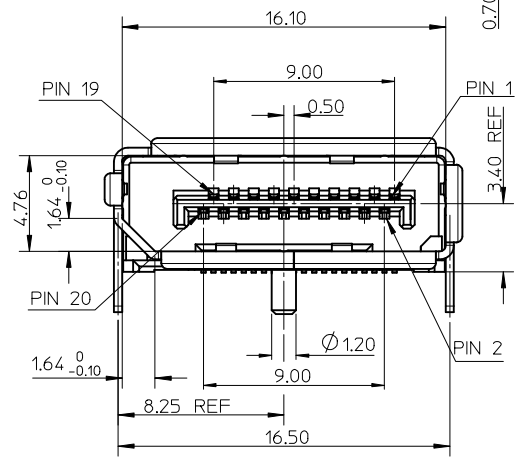
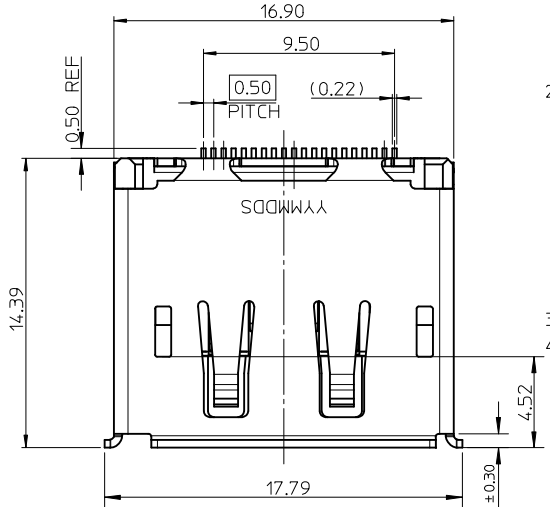
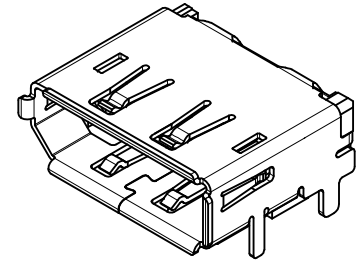


NOTES:

1. MATERIAL:
HOUSING: HIGH TEMPERATURE THERMAL PLASTIC, BLACK, 30% GLASS FILLED, UL94V-0.
TERMINAL: COPPER ALLOY.
SHELL: COPPER ALLOY.
2. PLATING:
TERMINAL: CONTACT AREA(10.76 MICROMETER GOLD PLATING
(2)0.38 MICROMETER GOLD PLATING
(3)GOLD FLASH PLATING
(4)0.64MIN. MICROMETER PALLADIUM/NICKEL AND GOLD FLASH PLATING
AND SOLDER TAIL 1~3 MICROMETER TIN BISMUTH UNDER PLATE1~3 MICROMETER NICKEL PLATING OVERALL.
SHELL:(a)1.27~2.54 MICROETER SOLDERABLE NICKEL PLATING OVERALL.
(b)SHELL PEG SOLDERING SURFACE PLATE GOLD FLASH UNDER PLATE1~3 MICROMETER NICKEL PLATING OVERALL.
(c) SHELL PLATE 2.1~3.0 MICROMETER TIN UNDER PLATE1.27~2.25 MICROERER NICKEL OVERALL
3. SOLDERTAIL COPLANARITY 0.10 MAX.
4. PS REFER TO PS-47272-001



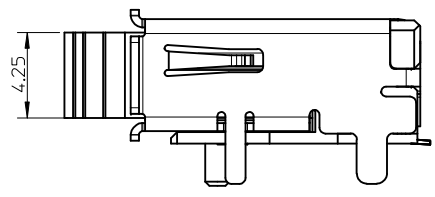
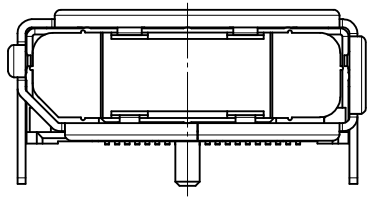
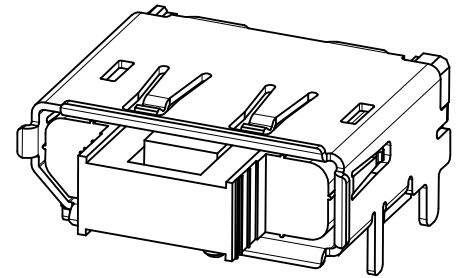
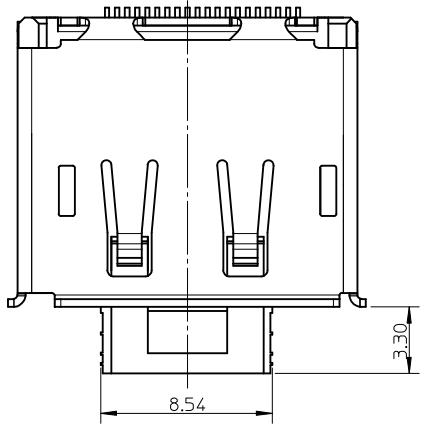
RECOMMENDED PCB LAYOUT(THICKNESS=1.6±0.15)



NEW RELEASE EC NO: SH2009-0189 DRW:BBLY CHKD:RZHANG APPR:HWANG 2008/09/25 2008/09/26 2008/10/28	QUALITY SYMBOLS ▽=0 ◻=0	GENERAL TOLERANCES (UNLESS SPECIFIED)		DIMENSION STYLE MM ONLY		SCALE 1:1	DESIGN UNITS METRIC	THIRD ANGLE PROJECTION	
		4 PLACES ± --- ± ---	DRAWN BY RZHANG	DATE 2005/07/01	TITLE 10MM PITCH DISPLAY PORT RECEPTACLE ASSEMBLY				
		3 PLACES ± --- ± ---	CHECKED BY IWANG	DATE 2005/07/01	MOLEX INCORPORATED				
		2 PLACES ± 0.25 ± --- 1 PLACE ± 0.25 ± ---	APPROVED BY JNCHEN	DATE 2005/07/01	DOCUMENT NO. SD-47272-001				
A6	DESCRIPTION REV	ANGULAR ± 3 °		MATERIAL NO. SEE SHEETS		SHEET NO. 1 OF 8	DRAFT WHERE APPLICABLE MUST REMAIN WITHIN DIMENSIONS		
				SIZE A3		THIS DRAWING CONTAINS INFORMATION THAT IS PROPRIETARY TO MOLEX INCORPORATED AND SHOULD NOT BE USED WITHOUT WRITTEN PERMISSION			

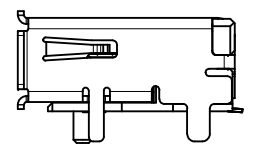
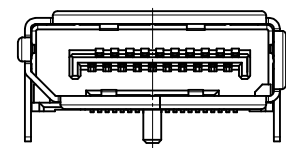
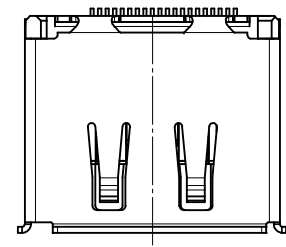
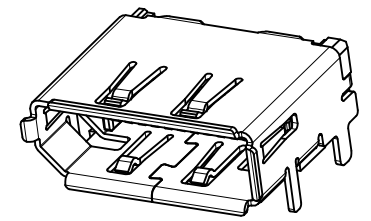
10 9 8 7 6 5 4 3 2 1

WITH COVER



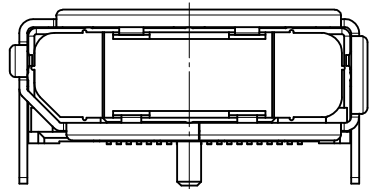
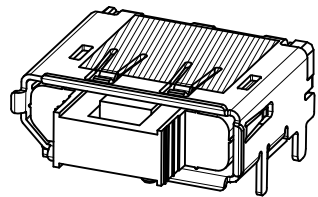
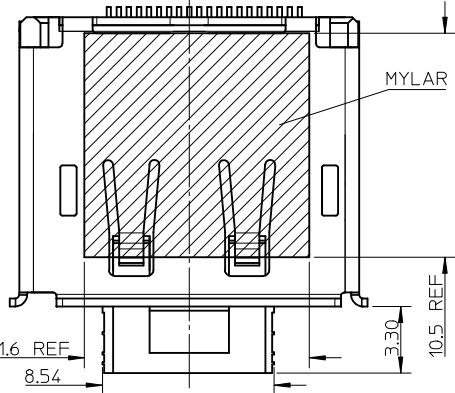
- NOTES:
 1.UNSPECIFIED DIMENSION ARE SAME AS SHEET1
 2.CONNECTOR WITH COVER IS USED FOR WARE SOLDERING PEG

WITHOUT LATCH HOLE



- NOTES:
 1.UNSPECIFIED DIMENSION ARE SAME AS SHEET1

WITH COVER AND MYLAR



- NOTES:
 1.UNSPECIFIED DIMENSION ARE SAME AS SHEET1
 2.CONNECTOR WITH COVER IS USED FOR WARE SOLDERING PEG

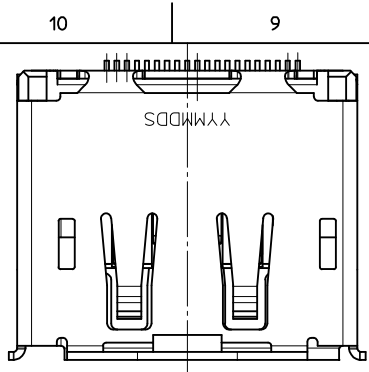
NEW RELEASE EC NO: SH2009-0189 DRW:BBLY CHKD:RZHANG APPR:HWANG	2008/09/25	DESCRIPTION REV
	2008/09/26	
	2008/10/28	

QUALITY SYMBOLS	▽=0
	◻=0

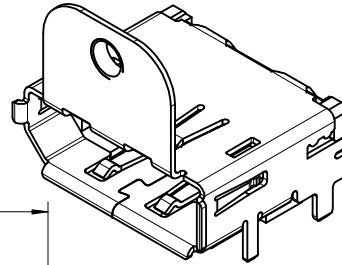
GENERAL TOLERANCES (UNLESS SPECIFIED)	mm	INCH	
	4 PLACES	± ---	± ---
	3 PLACES	± ---	± ---
	2 PLACES	± 0.25	± ---
	1 PLACE	± 0.25	± ---
ANGULAR ± 3 °			
DRAFT WHERE APPLICABLE MUST REMAIN WITHIN DIMENSIONS			

DIMENSION STYLE		SCALE	DESIGN UNITS	THIRD ANGLE PROJECTION
MM ONLY		1:1	METRIC	
DRAWN BY	DATE	TITLE		
RZHANG	2005/07/01	1.0MM PITCH DISPLAY PORT RECEPTACLE ASSEMBLY		
CHECKED BY	DATE	MOLEX INCORPORATED		
IWANG	2005/07/01	SD-47272-001		
APPROVED BY	DATE	SHEET NO.		
JNCHEN	2005/07/01	2 OF 8		
MATERIAL NO.		DOCUMENT NO.		
SEE SHEETS 5		THIS DRAWING CONTAINS INFORMATION THAT IS PROPRIETARY TO MOLEX INCORPORATED AND SHOULD NOT BE USED WITHOUT WRITTEN PERMISSION		

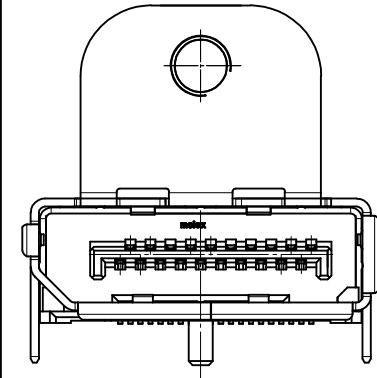
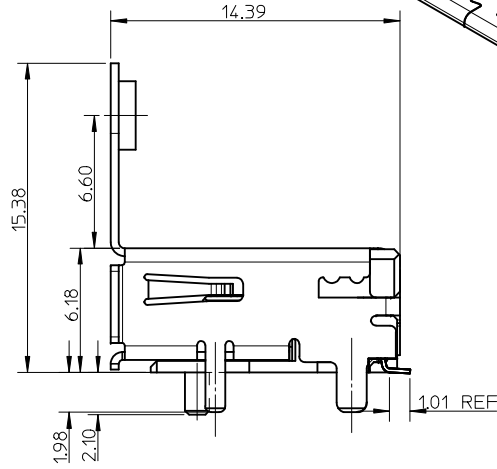
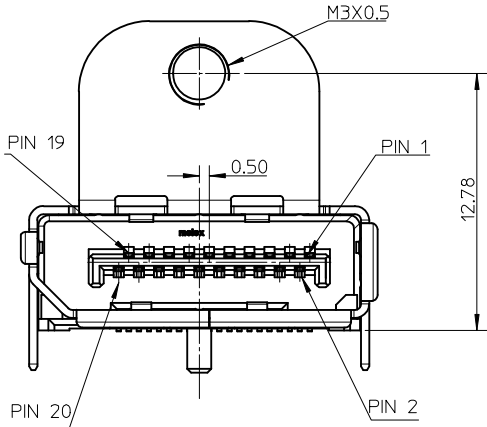
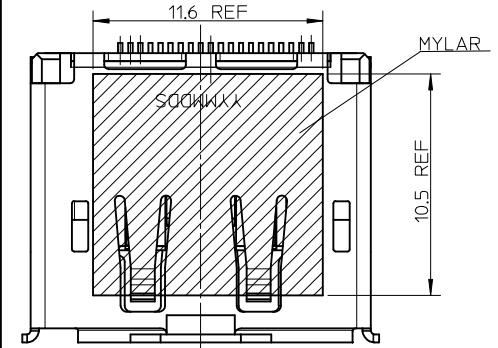
9 8 7 6 5 4 3



WITH FLANGE AND THROUGH HOLE PEG

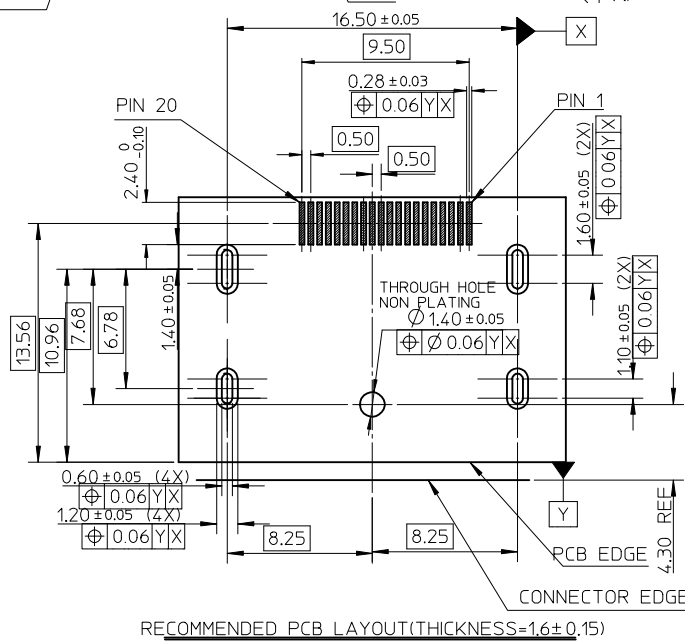


WITH MYLAR



NOTES:
UNSPECIFIED DIMENSION ARE SAME AS SHEET1

NOTES:
UNSPECIFIED DIMENSION ARE SAME AS SHEET1

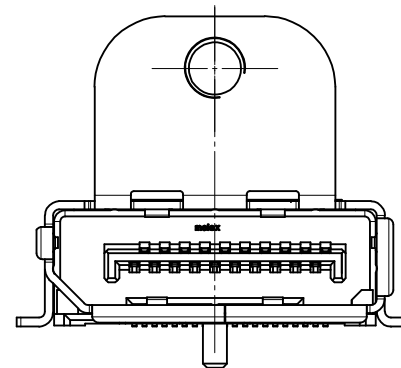
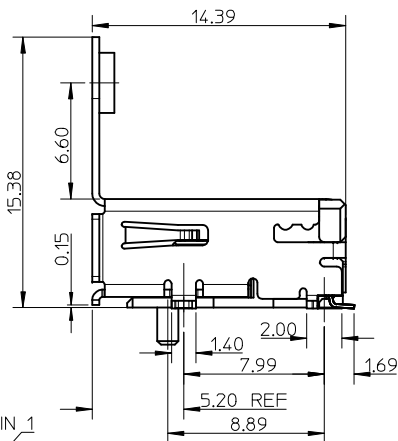
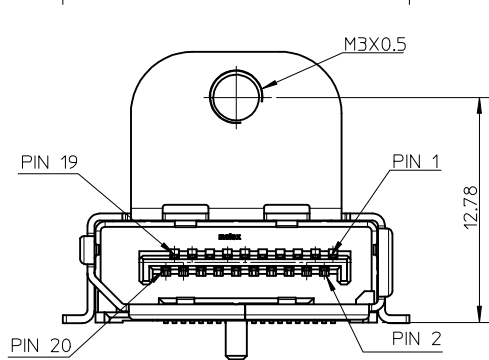
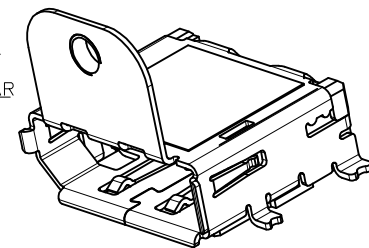
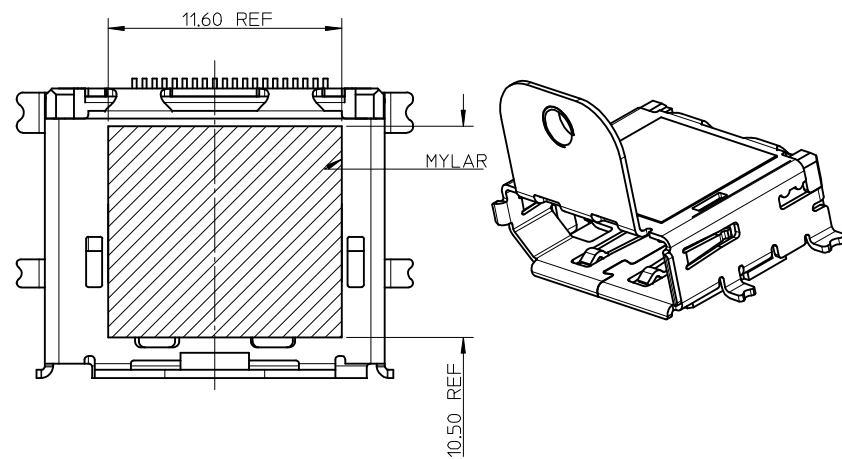
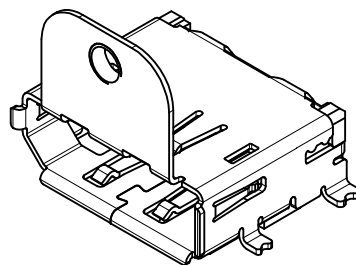
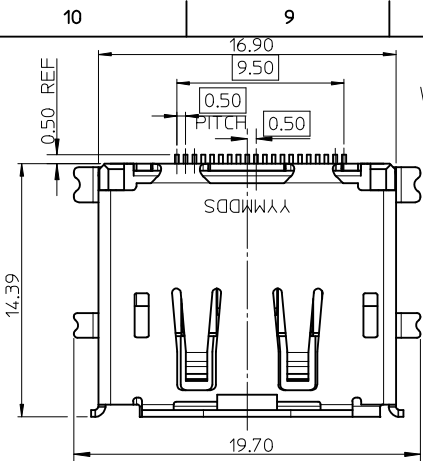


NEW RELEASE EC NO: SH2009-0189 DRW:BBLY 2008/09/25 CHKD:RZHANG 2008/09/26 APPR:HWANG 2008/10/28	QUALITY SYMBOLS 	GENERAL TOLERANCES (UNLESS SPECIFIED)		DIMENSION STYLE MM ONLY		SCALE 1:1	DESIGN UNITS METRIC	THIRD ANGLE PROJECTION			
		4 PLACES ± --- ± ---	3 PLACES ± --- ± ---	DRAWN BY RZHANG	DATE 2005/07/01	TITLE 1.0MM PITCH DISPLAY PORT RECEPTACLE ASSEMBLY					
		2 PLACES ± 0.25 ± ---	1 PLACE ± 0.25 ± ---	CHECKED BY IWANG	DATE 2005/07/01	APPROVED BY JNCHEN					
		ANGULAR ± 3 °		MATERIAL NO. SEE SHEETS	DATE 2005/07/01	MOLEX INCORPORATED		DOCUMENT NO. SD-47272-001	SHEET NO. 3 OF 8		
DRAFT WHERE APPLICABLE MUST REMAIN WITHIN DIMENSIONS		SIZE A3	THIS DRAWING CONTAINS INFORMATION THAT IS PROPRIETARY TO MOLEX INCORPORATED AND SHOULD NOT BE USED WITHOUT WRITTEN PERMISSION								

RECOMMENDED PCB LAYOUT (THICKNESS=1.6±0.15)

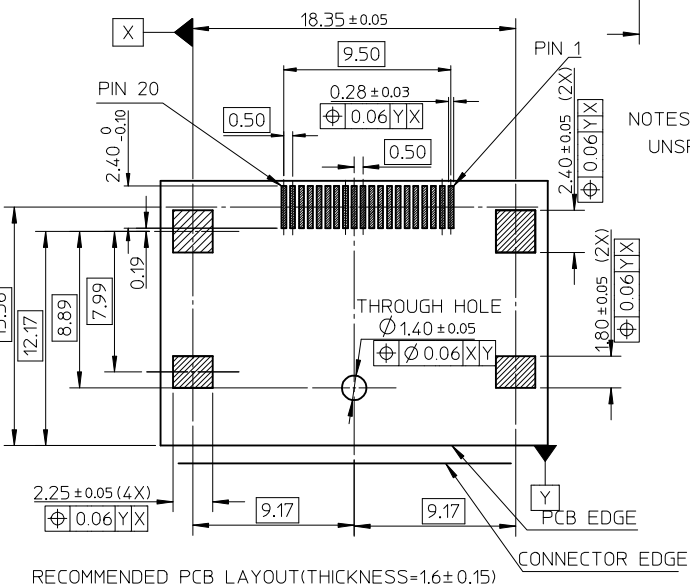
WITH FLANGE AND SMT PEG

WITH FLANGE AND MYLAR



NOTES:
UNSPECIFIED DIMENSION ARE SAME AS SHEET 1

NOTES:
1. UNSPECIFIED DIMENSION ARE SAME AS SHEET 1
2. THE RECOMMENDER PCB ARE SAME AS LEFT RECMENDER PCB



RECOMMENDED PCB LAYOUT (THICKNESS=1.6±0.15)

NEW RELEASE EC NO: SH2009-0189 DRWN: BBLV CHKD: RZHANG APPR: HWANG	2008/09/25	2008/09/26	2008/10/28
	DESCRIPTION	QUALITY SYMBOLS	REV
	▽=0	▽=0	

GENERAL TOLERANCES (UNLESS SPECIFIED)	
mm	INCH
4 PLACES ± ---	± ---
3 PLACES ± ---	± ---
2 PLACES ± 0.25	± ---
1 PLACE ± 0.25	± ---
ANGULAR ± 3 °	
DRAFT WHERE APPLICABLE MUST REMAIN WITHIN DIMENSIONS	

DIMENSION STYLE	
MM ONLY	
DRAWN BY	DATE
RZHANG	2005/07/01
CHECKED BY	DATE
IWANG	2005/07/01
APPROVED BY	DATE
JNCHEN	2005/07/01
MATERIAL NO.	
SEE SHEET 5	

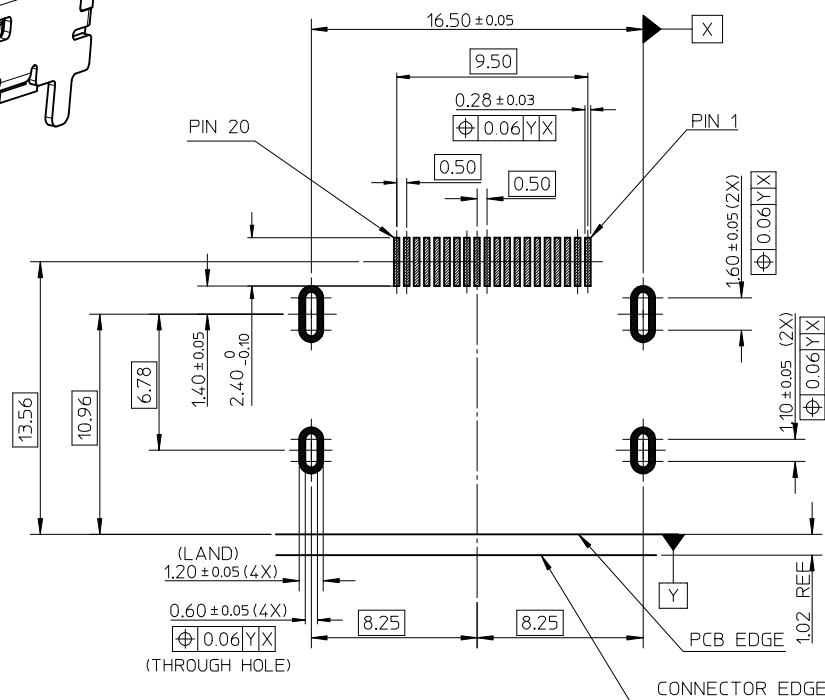
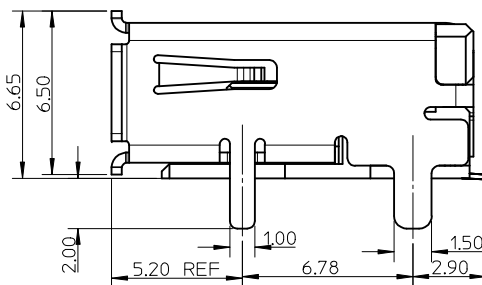
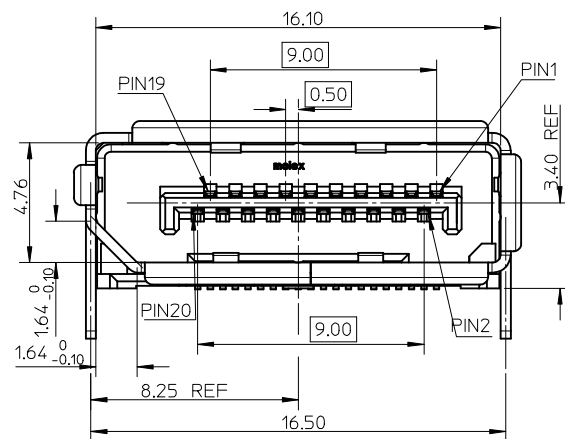
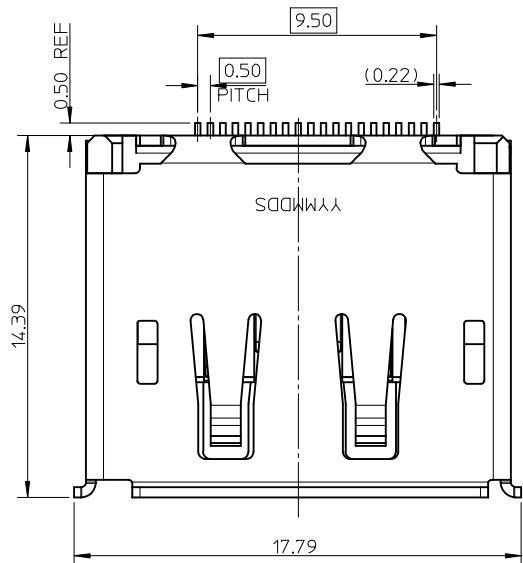
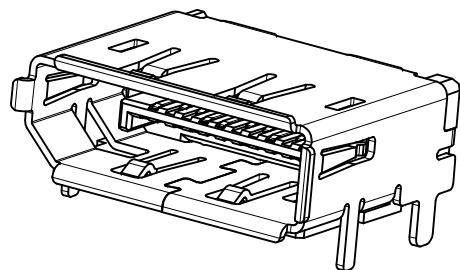
SCALE	DESIGN UNITS	THIRD ANGLE PROJECTION
1:1	METRIC	
TITLE		
1.0MM PITCH DISPLAY PORT RECEPTACLE ASSEMBLY		
MOLEX INCORPORATED		SHEET NO. 4 OF 8
DOCUMENT NO. SD-47272-001		
THIS DRAWING CONTAINS INFORMATION THAT IS PROPRIETARY TO MOLEX INCORPORATED AND SHOULD NOT BE USED WITHOUT WRITTEN PERMISSION		

10	9	8	7	6	5	4	3	2	1		
ASSEMBLY NO.	WITH COVER	WITH FLANGE	SMT PEG OF SHELL	THROUGH HOLE PEG OF SHELL	PLATING IN CONTACT AREA	SHELL PLATING	WITH LATCH HOLE	MYLAR	POST	PACKAGE METHOD	REMARK
47272-0001	WITHOUT	WITHOUT	/	WITH	SEE NOTE2(1)	SEE NOTE2(a)	WITH	WITHOUT	WITH		FOR SHEET 1
47272-0002	WITHOUT	WITHOUT	/	WITH	SEE NOTE2(1)	SEE NOTE2(a)	WITH	WITHOUT	WITH		
47272-0011	WITHOUT	WITHOUT	/	WITH	SEE NOTE2(2)	SEE NOTE2(a)	WITH	WITHOUT	WITH		
47272-0021	WITHOUT	WITHOUT	/	WITH	SEE NOTE2(3)	SEE NOTE2(a)	WITH	WITHOUT	WITH		FOR SHEET 2
47272-0003	WITHOUT	WITHOUT	/	WITH	SEE NOTE2(1)	SEE NOTE2(a)	WITHOUT	WITHOUT	WITH		
47272-1002	WITH	WITHOUT	/	WITH	SEE NOTE2(1)	SEE NOTE2(a)	WITH	WITHOUT	WITH		
47272-0012	WITH	WITHOUT	/	WITH	SEE NOTE2(2)	SEE NOTE2(a)	WITH	WITHOUT	WITH		FOR SHEET 3
47272-0022	WITH	WITHOUT	/	WITH	SEE NOTE2(3)	SEE NOTE2(a)	WITH	WITHOUT	WITH		
47272-0024	WITH	WITHOUT	/	WITH	SEE NOTE2(1)	SEE NOTE2(a)	WITH	WITH	WITH		
47272-0004	WITH	WITH	/	WITH	SEE NOTE2(1)	SEE NOTE2(c)	WITH	WITHOUT	WITH		FOR SHEET 4
47272-1004	WITHOUT	WITH	/	WITH	SEE NOTE2(1)	SEE NOTE2(c)	WITH	WITHOUT	WITH		
47272-0025	WITHOUT	WITH	/	WITH	SEE NOTE2(1)	SEE NOTE2(c)	WITH	WITH	WITH		
47272-0028	WITHOUT	WITH	/	WITH	SEE NOTE2(3)	SEE NOTE2(c)	WITH	WITH	WITH		FOR SHEET 6
47272-1005	WITHOUT	WITH	SMT PEG	/	SEE NOTE2(1)	SEE NOTE2(c)	WITH	WITHOUT	WITH		
47272-0023	WITHOUT	WITH	SMT PEG	/	SEE NOTE2(1)	SEE NOTE2(c)	WITH	WITH	WITH		
47272-0026	WITHOUT	WITHOUT	/	WITH	SEE NOTE2(1)	SEE NOTE2(a)	WITH	WITHOUT	WITHOUT		FOR SHEET 7
47272-0027	WITH	WITH	/	WITH	SEE NOTE2(1)	SEE NOTE2(c)	WITH	WITH	WITH		FOR SHEET 8
47272-0201	WITHOUT	WITHOUT	/	WITH	SEE NOTE2(4)	SEE NOTE2(a)	WITH	WITHOUT	WITH		FOR SHEET 1
47272-0029	WITHOUT	WITHOUT		WITH	SEE NOTE2(1)	SEE NOTE2(a)	WITH	WITH	WITH		FOR SHEET 2

<p>NEW RELEASE EC NO: SH2009-0189 DRINK:BBLY 2008/09/25 CHKD:RZHANG 2008/09/26 APPR:HWANG 2008/10/28</p>											
---	--	--	--	--	--	--	--	--	--	--	--

<p>QUALITY SYMBOLS</p> <p>▽=0</p> <p>◻=0</p>	<p>GENERAL TOLERANCES (UNLESS SPECIFIED)</p> <table border="1"> <tr> <th></th> <th>mm</th> <th>INCH</th> </tr> <tr> <td>4 PLACES</td> <td>± ---</td> <td>± ---</td> </tr> <tr> <td>3 PLACES</td> <td>± ---</td> <td>± ---</td> </tr> <tr> <td>2 PLACES</td> <td>± 0.25</td> <td>± ---</td> </tr> <tr> <td>1 PLACE</td> <td>± 0.25</td> <td>± ---</td> </tr> </table>			mm	INCH	4 PLACES	± ---	± ---	3 PLACES	± ---	± ---	2 PLACES	± 0.25	± ---	1 PLACE	± 0.25	± ---	<p>DIMENSION STYLE</p> <p>MM ONLY</p>		<p>SCALE</p> <p>1:1</p>	<p>DESIGN UNITS</p> <p>METRIC</p>	<p>THIRD ANGLE PROJECTION</p>
		mm	INCH																			
	4 PLACES	± ---	± ---																			
	3 PLACES	± ---	± ---																			
2 PLACES	± 0.25	± ---																				
1 PLACE	± 0.25	± ---																				
<p>DRAWN BY</p> <p>RZHANG</p>		<p>DATE</p> <p>2005/07/01</p>		<p>TITLE</p> <p>1.0MM PITCH DISPLAY PORT RECEPTACLE ASSEMBLY</p>																		
<p>CHECKED BY</p> <p>IWANG</p>		<p>DATE</p> <p>2005/07/01</p>		<p>MOLEX INCORPORATED</p>																		
<p>APPROVED BY</p> <p>JNCHEN</p>		<p>DATE</p> <p>2005/07/01</p>		<p>MATERIAL NO.</p> <p>SEE CHART</p>		<p>DOCUMENT NO.</p> <p>SD-47272-001</p>																
<p>DRAFT WHERE APPLICABLE MUST REMAIN WITHIN DIMENSIONS</p>		<p>SIZE</p> <p>A3</p>		<p>THIS DRAWING CONTAINS INFORMATION THAT IS PROPRIETARY TO MOLEX INCORPORATED AND SHOULD NOT BE USED WITHOUT WRITTEN PERMISSION</p>																		

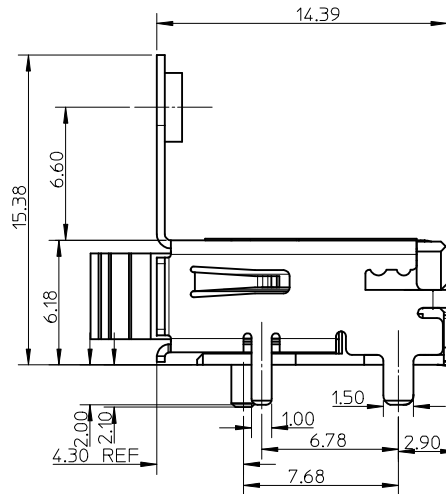
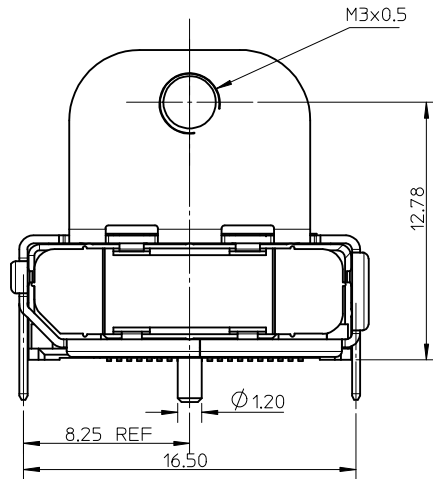
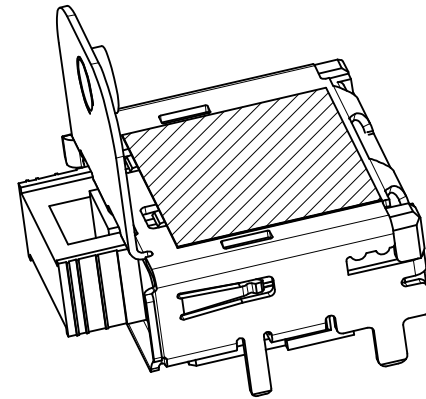
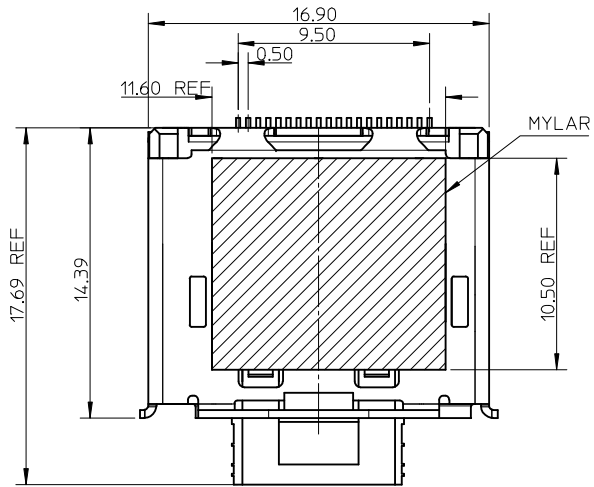
WITHOUT POST



RECOMMENDED PCB LAYOUT (THICKNESS=1.6±0.15)

NOTES:
UNSPECIFIED DIMENSION ARE SAME AS SHEET1

NEW RELEASE EC NO: SH2009-0189 DRW:NBBLV CHY:KDRZHANG APPR:HWANG 2008/09/25 2008/09/26 2008/10/28	QUALITY SYMBOLS ▽=0 ◻=0	GENERAL TOLERANCES (UNLESS SPECIFIED) mm INCH 4 PLACES ± --- ± --- 3 PLACES ± --- ± --- 2 PLACES ± 0.25 ± --- 1 PLACE ± 0.25 ± --- ANGULAR ± 3 °	DIMENSION STYLE MM ONLY	SCALE 1:1	DESIGN UNITS METRIC	THIRD ANGLE PROJECTION	
	DRAWN BY RZHANG	DATE 2005/07/01	TITLE 1.0MM PITCH DISPLAY PORT RECEPTACLE ASSEMBLY	MOLEX INCORPORATED			
	CHECKED BY IWANG	DATE 2005/07/01	APPROVED BY JNCHEN				
	MATERIAL NO. SEE SHEETS 5	MOLEX INCORPORATED	DOCUMENT NO. SD-47272-001	SHEET NO. 6 OF 8	THIS DRAWING CONTAINS INFORMATION THAT IS PROPRIETARY TO MOLEX INCORPORATED AND SHOULD NOT BE USED WITHOUT WRITTEN PERMISSION		
DRAFT WHERE APPLICABLE MUST REMAIN WITHIN DIMENSIONS	SIZE A3						

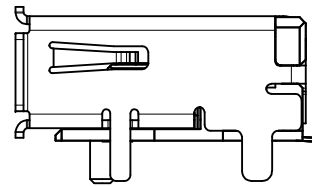
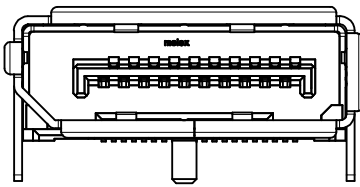
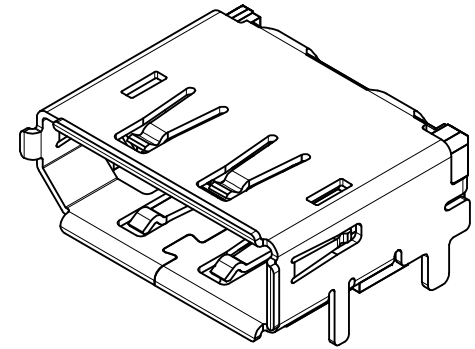
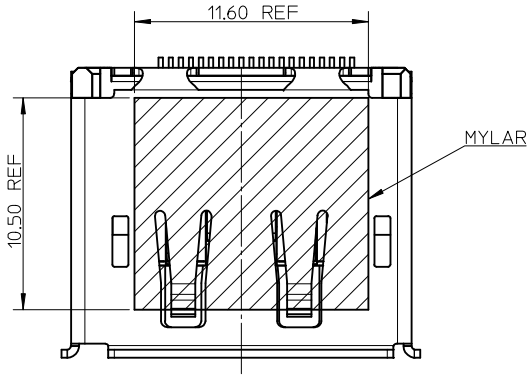


NOTES:

1. UNSPECIFIC DIMENSION ARE SAME AS SHEET1
2. THE RECOMMENDER PCB ARE SAME AS SHEET1

<p>NEW RELEASE EC NO: SHZ009-0189 DRWN:BBLY CHKD:RZHANG APPR:HWANG</p>	<p>2008/09/25 2008/09/26 2008/10/28</p>	<p>DESCRIPTION REV</p>	QUALITY SYMBOLS	GENERAL TOLERANCES (UNLESS SPECIFIED)	DIMENSION STYLE	SCALE	DESIGN UNITS	THIRD ANGLE PROJECTION
			<p>▽=0 □=0</p>	<p>mm INCH</p>	MM ONLY	1:1	METRIC	
			<p>4 PLACES ± --- ± --- 3 PLACES ± --- ± --- 2 PLACES ± 0.25 ± --- 1 PLACE ± 0.25 ± ---</p>	<p>DRAWN BY DATE RZHANG 2005/07/01</p> <p>CHECKED BY DATE IWANG 2005/07/01</p> <p>APPROVED BY DATE JNCHEN 2005/07/01</p>	TITLE			
			<p>ANGULAR ± 3 °</p>	<p>MATERIAL NO.</p>	<p>DOCUMENT NO.</p>	<p>SHEET NO.</p>		
<p>DRAFT WHERE APPLICABLE MUST REMAIN WITHIN DIMENSIONS</p>				<p>SEE SHEET 5</p>	<p>THIS DRAWING CONTAINS INFORMATION THAT IS PROPRIETARY TO MOLEX INCORPORATED AND SHOULD NOT BE USED WITHOUT WRITTEN PERMISSION</p>		<p>1.0MM PITCH DISPLAY PORT RECEPTACLE ASSEMBLY</p>	
<p>A6</p>				<p>A3</p>	<p>MOLEX INCORPORATED</p>		<p>SD-47272-001</p>	
<p>Rev. E 2006/04/15</p>				<p>7 OF 8</p>		<p>7 OF 8</p>		

10 9 8 7 6 5 4 3 2 1



NOTES:
 1. UNSPECIFIC DIMENSION ARE SAME AS SHEET1
 2. THE RECOMMENDER PCB ARE SAME AS SHEET1

NEW RELEASE EC NO: SHZ009-0189 DRW:BBLY CHKD:RZHANG APPR:HWANG 2008/09/25 2008/09/26 2008/10/28	DESCRIPTION REV	QUALITY SYMBOLS	GENERAL TOLERANCES (UNLESS SPECIFIED)		DIMENSION STYLE MM ONLY		SCALE 1:1	DESIGN UNITS METRIC	THIRD ANGLE PROJECTION
		▼=0 □=0	mm	INCH	DRAWN BY RZHANG	DATE 2005/07/01	TITLE 1.0MM PITCH DISPLAY PORT RECEPTACLE ASSEMBLY		
		4 PLACES	± ---	± ---	CHECKED BY IWANG	DATE 2005/07/01	MOLEX INCORPORATED DOCUMENT NO. SD-47272-001 SHEET NO. 8 OF 8		
		3 PLACES	± ---	± ---	APPROVED BY JNCHEN	DATE 2005/07/01			
2 PLACES	± 0.25	± ---	MATERIAL NO.		SEE SHEET 5 THIS DRAWING CONTAINS INFORMATION THAT IS PROPRIETARY TO MOLEX INCORPORATED AND SHOULD NOT BE USED WITHOUT WRITTEN PERMISSION				
1 PLACE	± 0.25	± ---	SIZE A3						
DRAFT WHERE APPLICABLE MUST REMAIN WITHIN DIMENSIONS			ANGULAR ± 3 °						

9 8 7 6 5 4 3 2 1